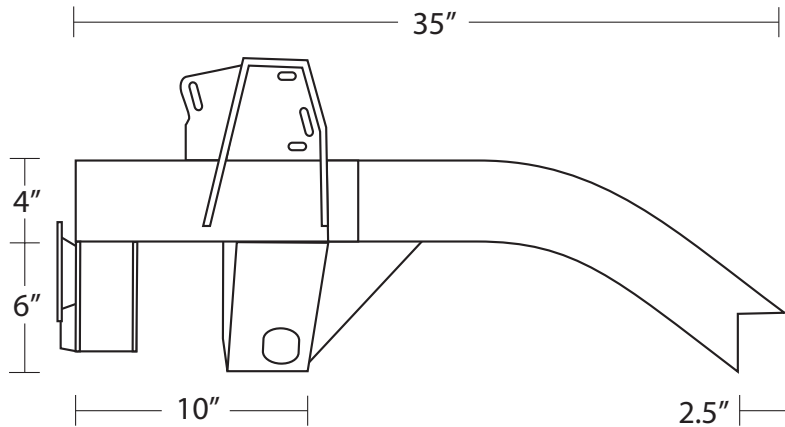
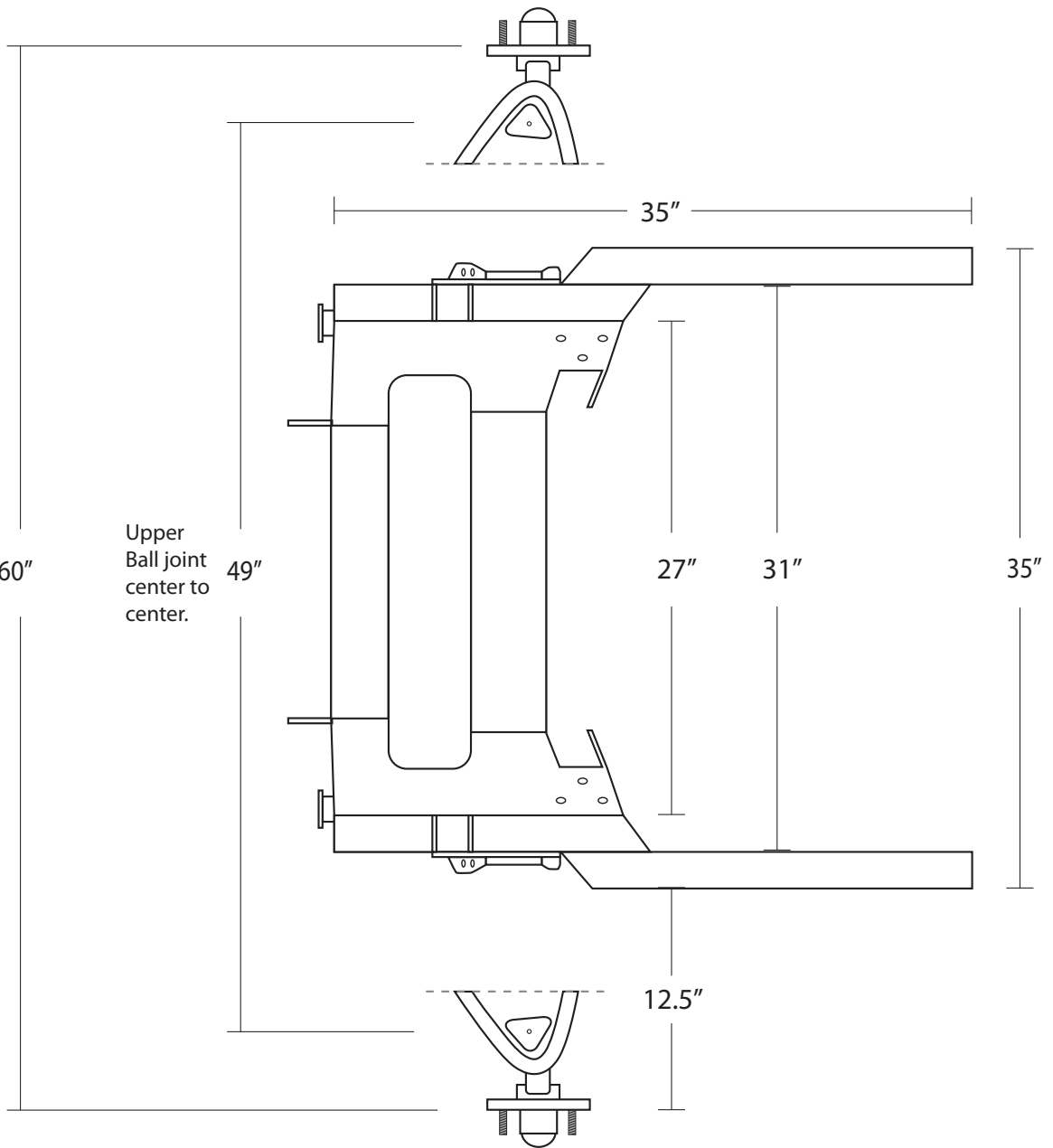


Stock hub and spindle width is approximately 60" plus brake hat.



Speedtech Performance USA
3884 S River Rd. Bldg. A
St. George, UT 84790
435-628-4300
speedtechperformance.com