



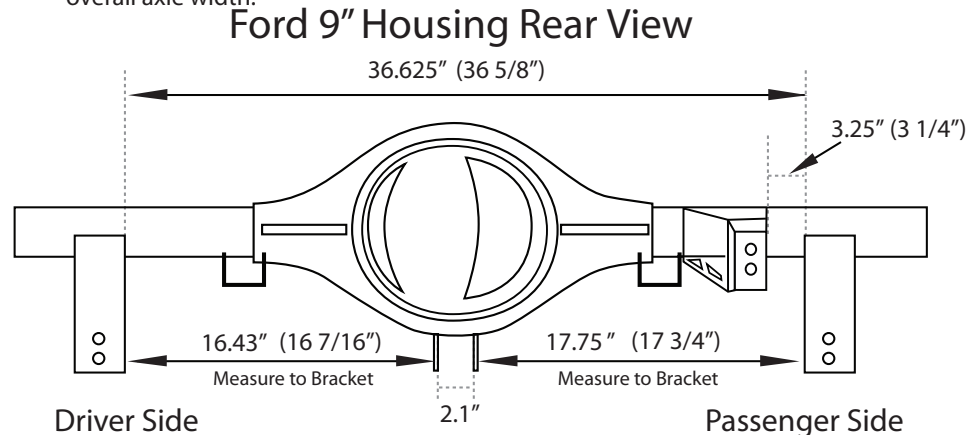
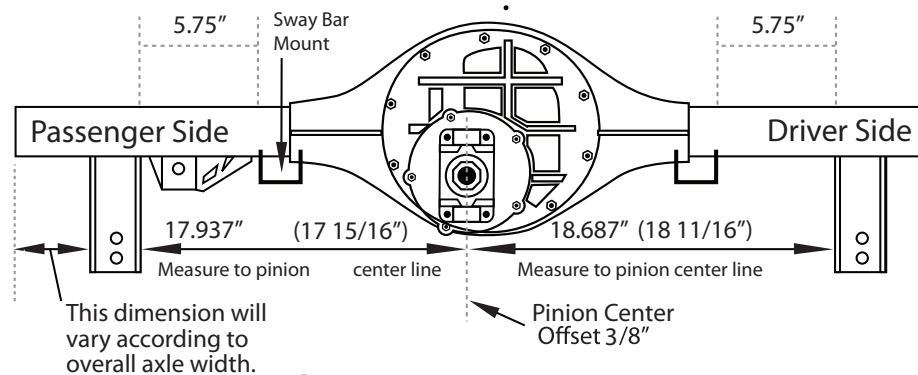
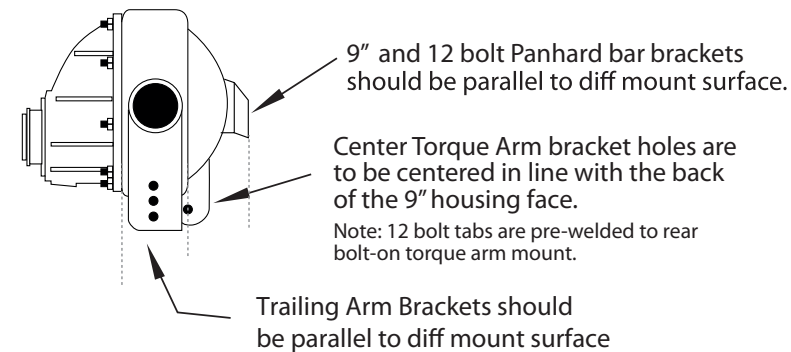
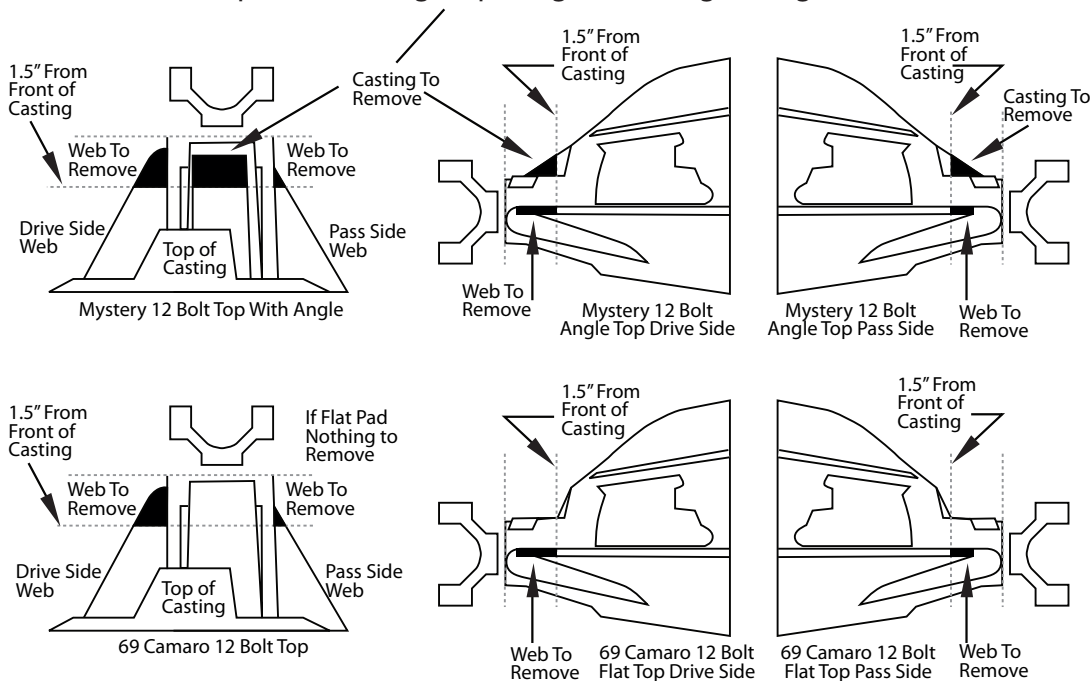
PERFORMANCE USA LLC

'67-69 Camaro Rear Diff Bracket Welding Guide, 9" Ford, 12 bolt

Feb 8, 2016

Please study these diagrams before attempting to weld. Remember, measure twice, weld once. This procedure is best done by a professional that has the ability to check and straighten the axle housing should it warp during the welding process.

**** Be cautious to note where factory pinion bearing oil passage is when grinding!**



Weld placement for 9 inch Torque Arm tabs
 2.1" Allows .040 Crush and Room for Powder coat
 12 bolt tabs are pre-welded to rear torque arm mount which bolts on.

Bracket List: Trailing Arm 912704, Panhard Bar 912703-01, Center Tabs 912705