



PERFORMANCE USA LLC

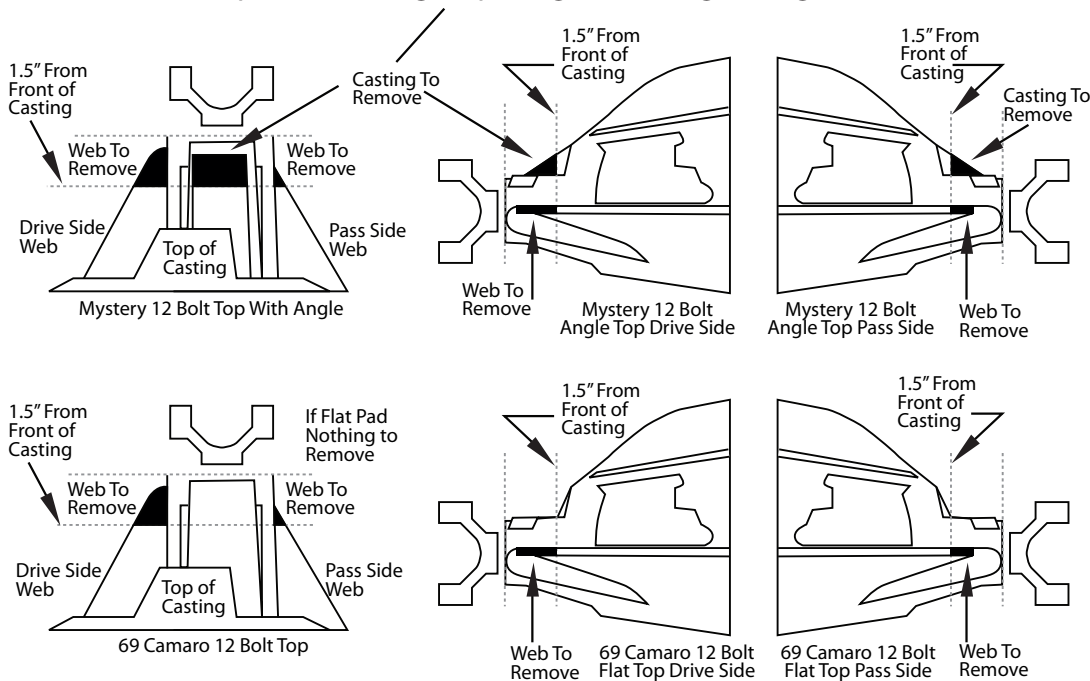
'67-69 Camaro Rear Diff Bracket Welding Guide, 9" Ford, 12 bolt

Feb 8, 2016

For axles produced after Jan 20, 2015.

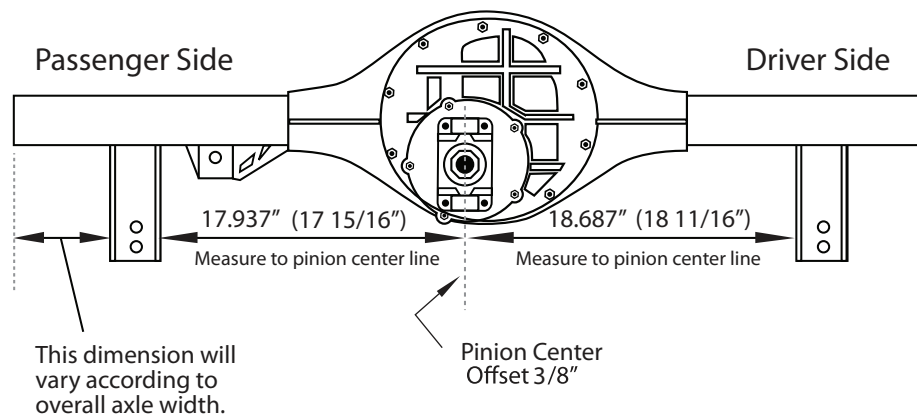
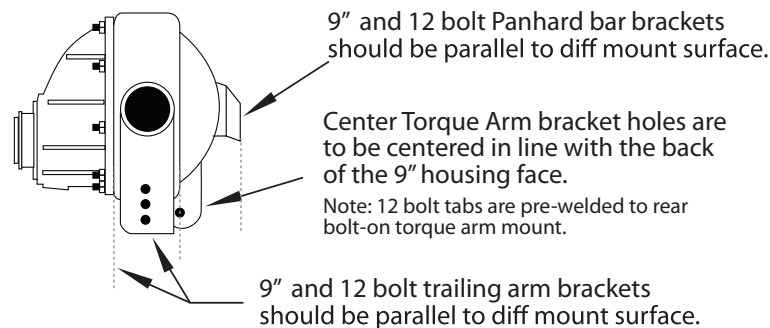
Please study these diagrams before attempting to weld. Remember, measure twice, weld once. This procedure is best done by a professional that has the ability to check and straighten the axle housing should it warp during the welding process.

**** Be cautious to note where factory pinion bearing oil passage is when grinding!**

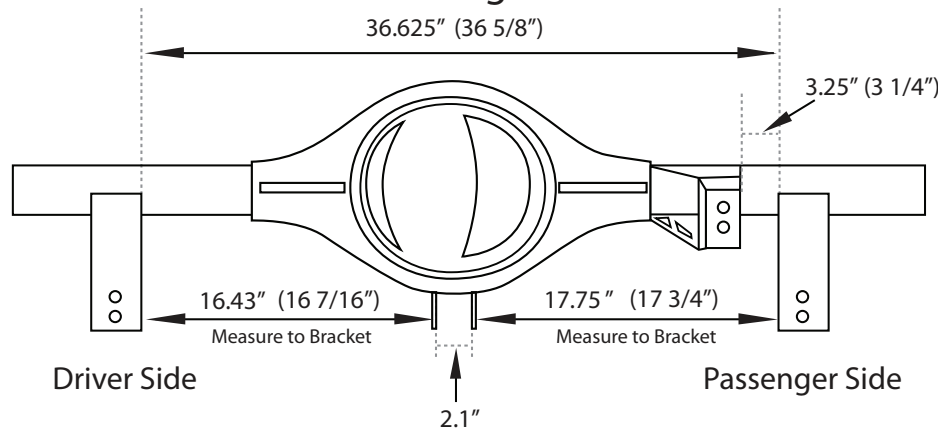


67-69 Camaro Ford 9" Housing Front View

Weld on bracket measurements are the same for 12 bolt and 9"



Ford 9" Housing Rear View



Weld placement for 9 inch Torque Arm tabs
2.1" Allows .040 Crush and Room for Powder coat
12 bolt tabs are pre-welded to rear torque arm mount which bolts on.

Bracket List: Trailing Arm 912704, Panhard Bar 912703-01, Center Tabs 912705